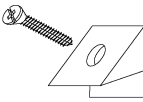

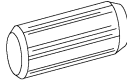
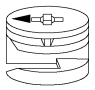

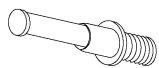
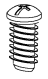
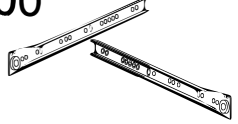
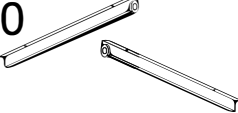
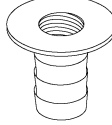
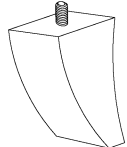
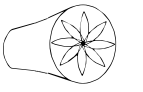

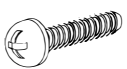
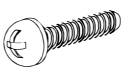


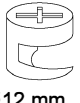
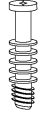
A		F3	
		x6	x4
B		8x30 mm.	x8
C		ø16 mm.	x8
D		3.5x16 mm.	x4
		M11	
	x8		x4

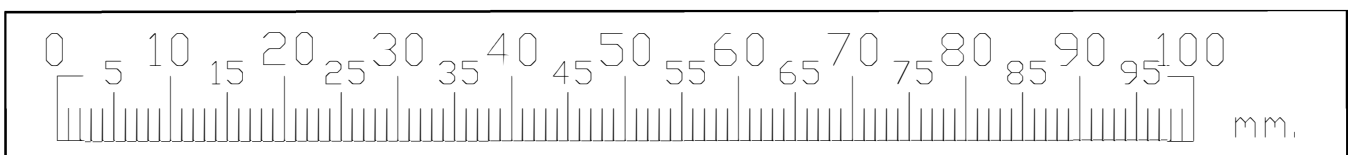
GE300		x2
GI300		x2

BUS		x4
------------	---	-----------

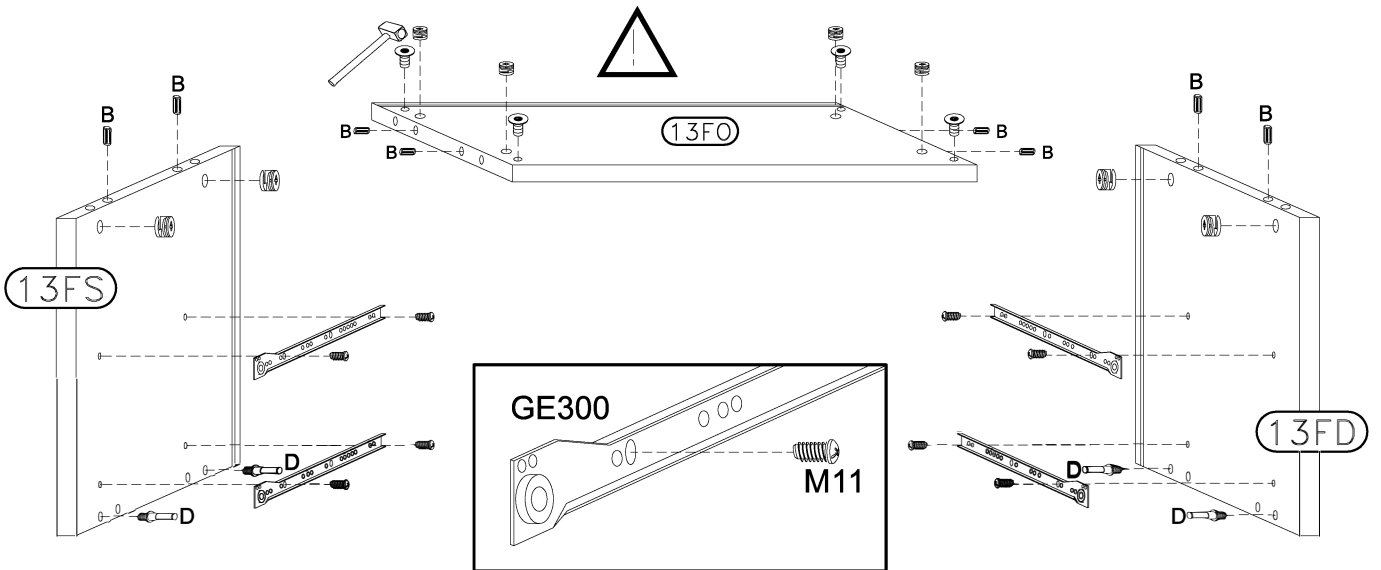
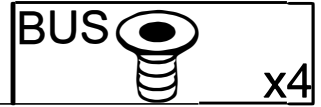
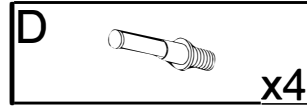
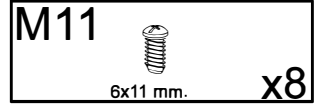
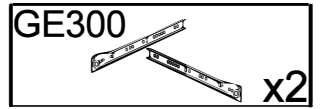
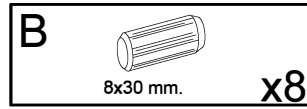
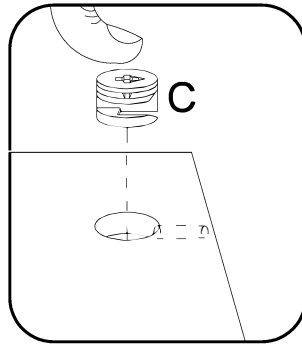
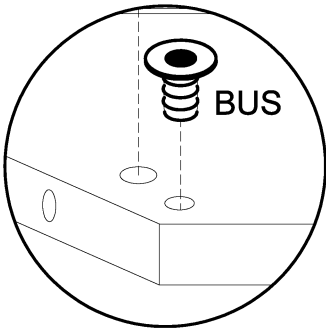
F22		x4
------------	---	-----------

NIVEA/SOLER		CLEOPATRA	
S14		S15	
	x2		x2
T420		T420	
	4x20 mm. x2		4x20 mm. x4

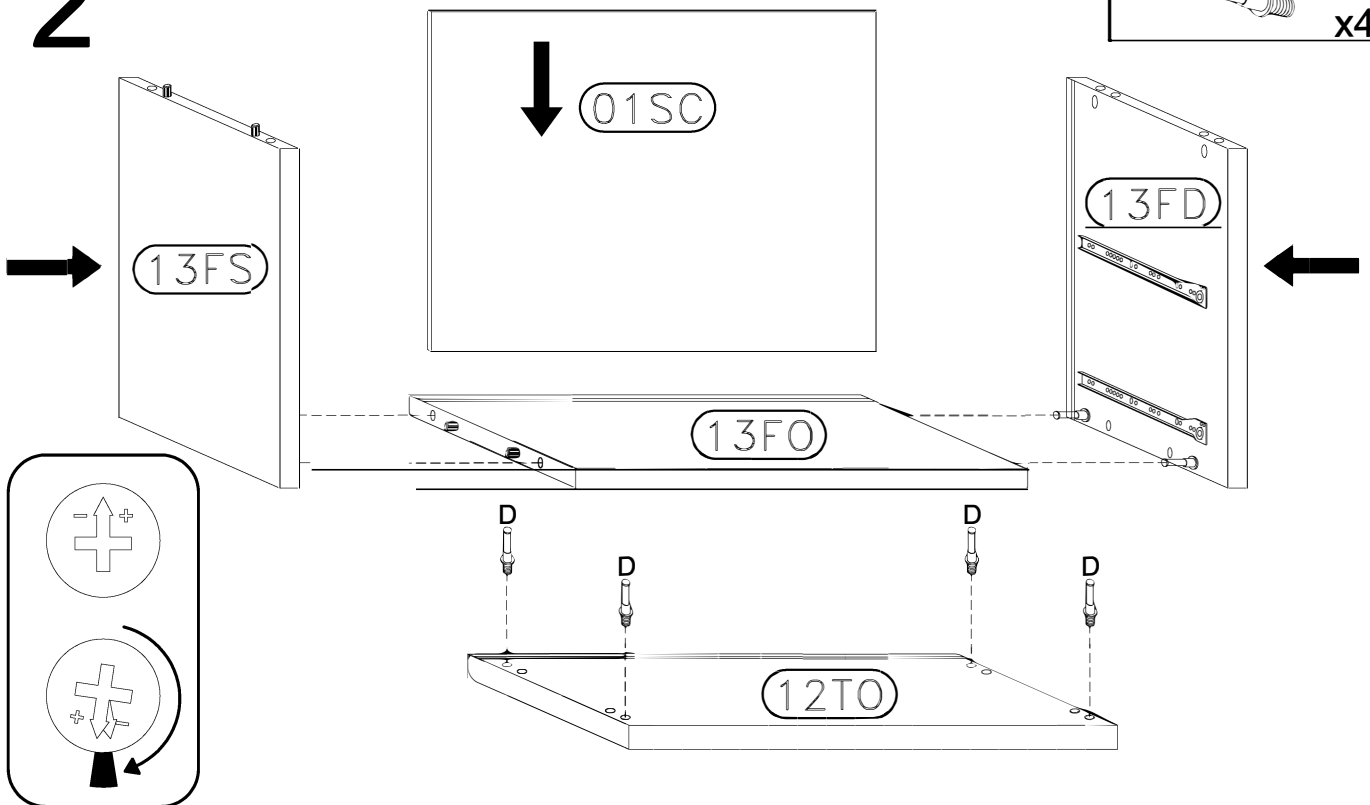
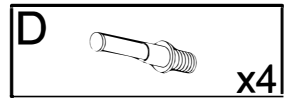
C1		x4
D1		x4



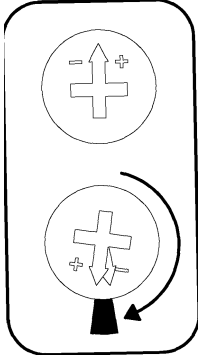
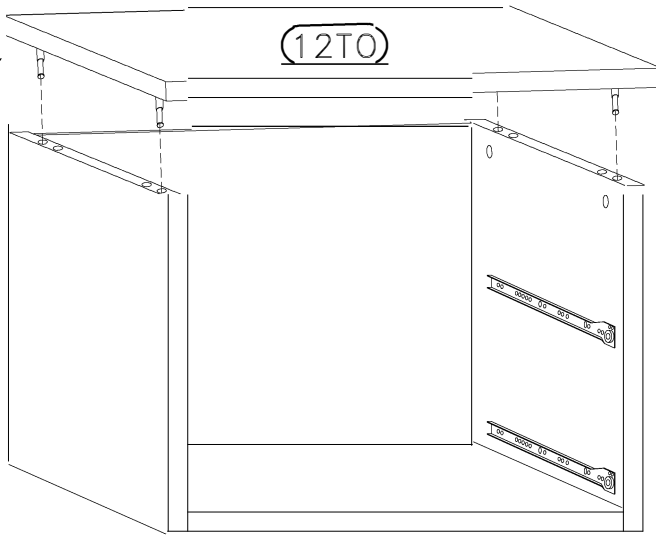
1



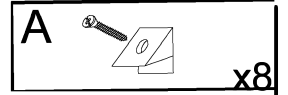
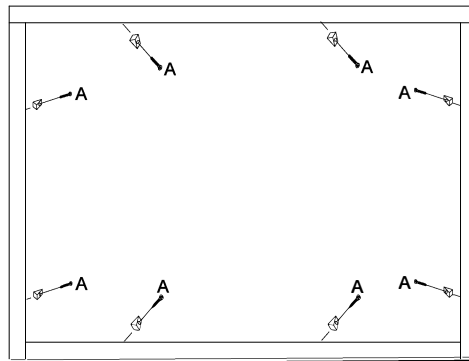
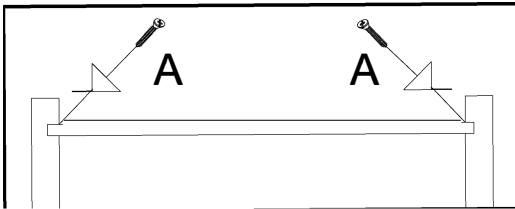
2



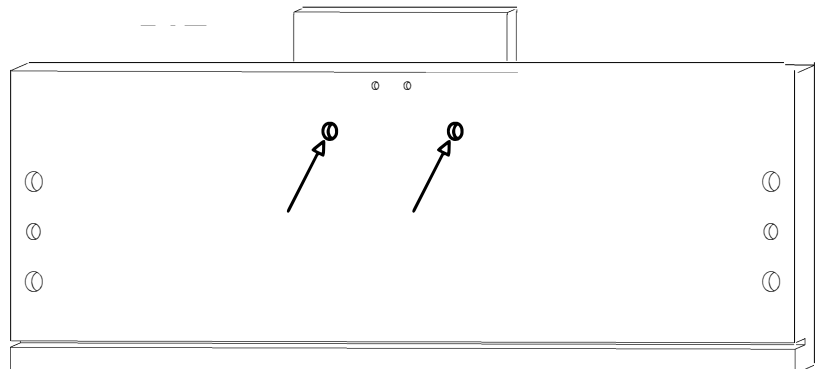
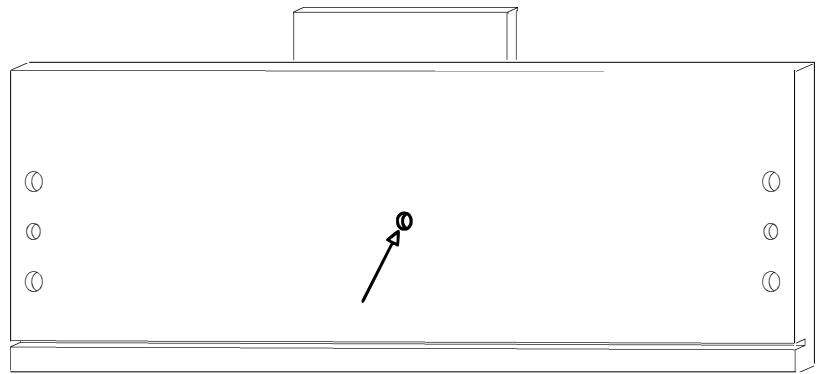
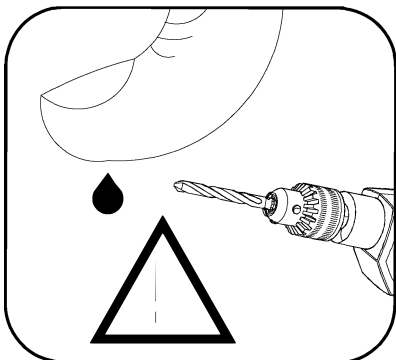
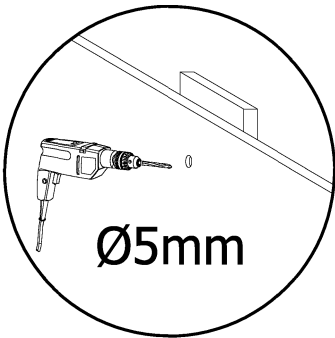
3



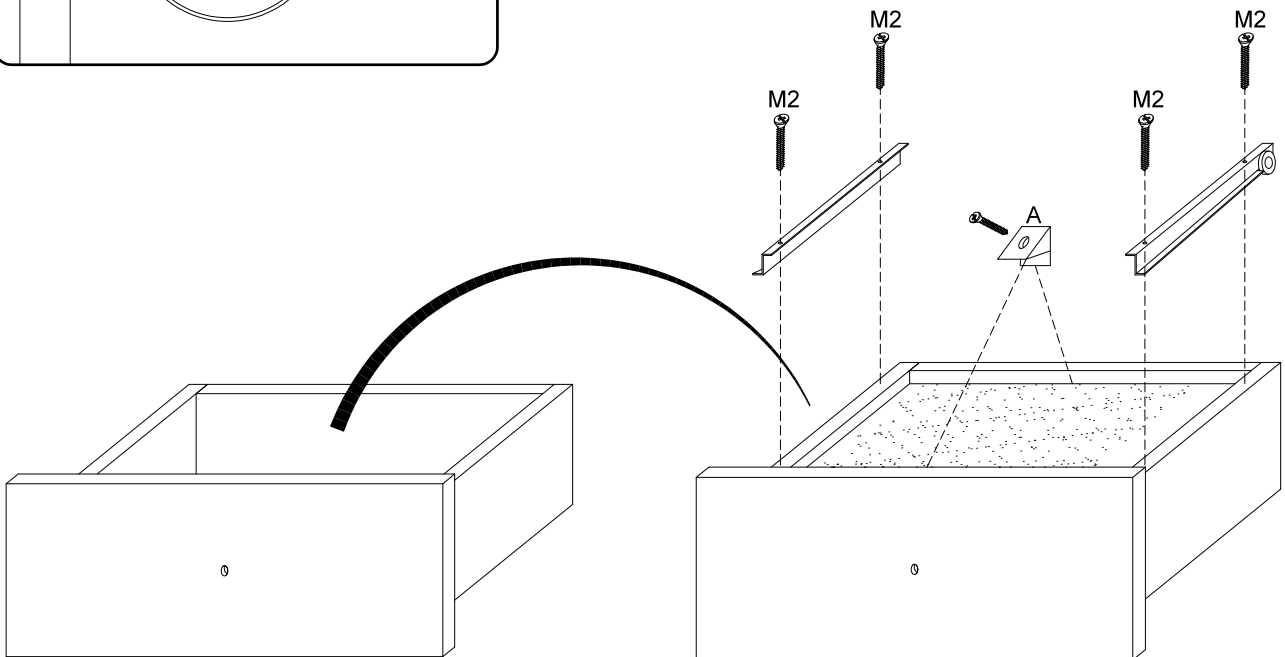
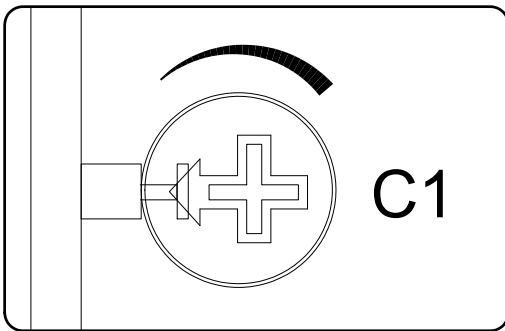
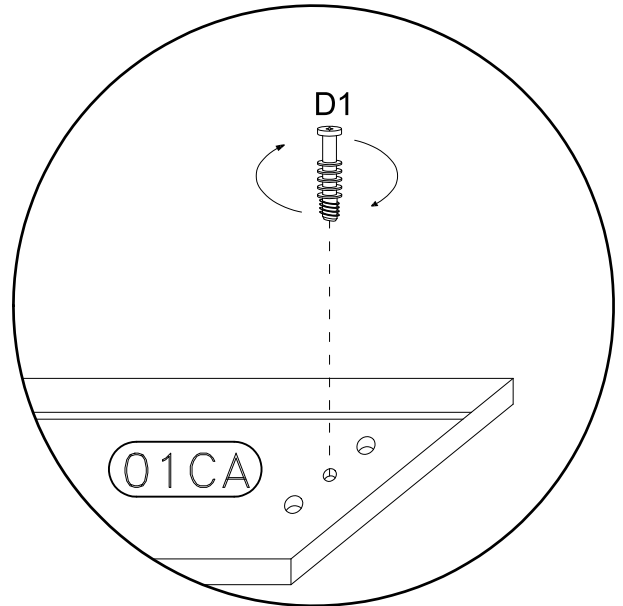
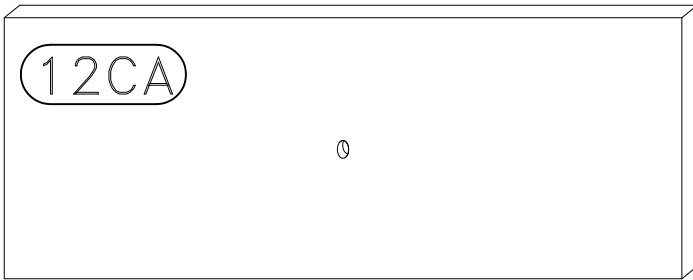
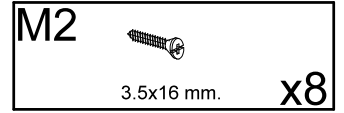
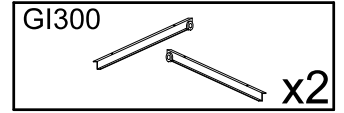
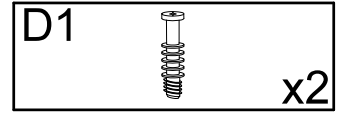
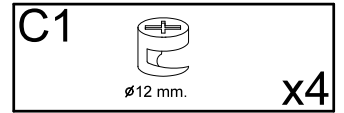
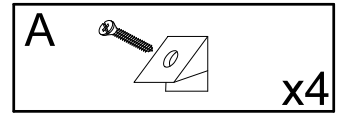
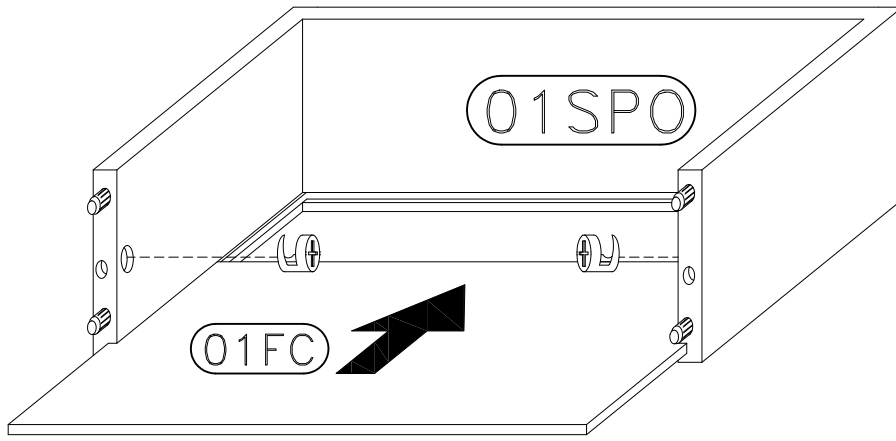
4



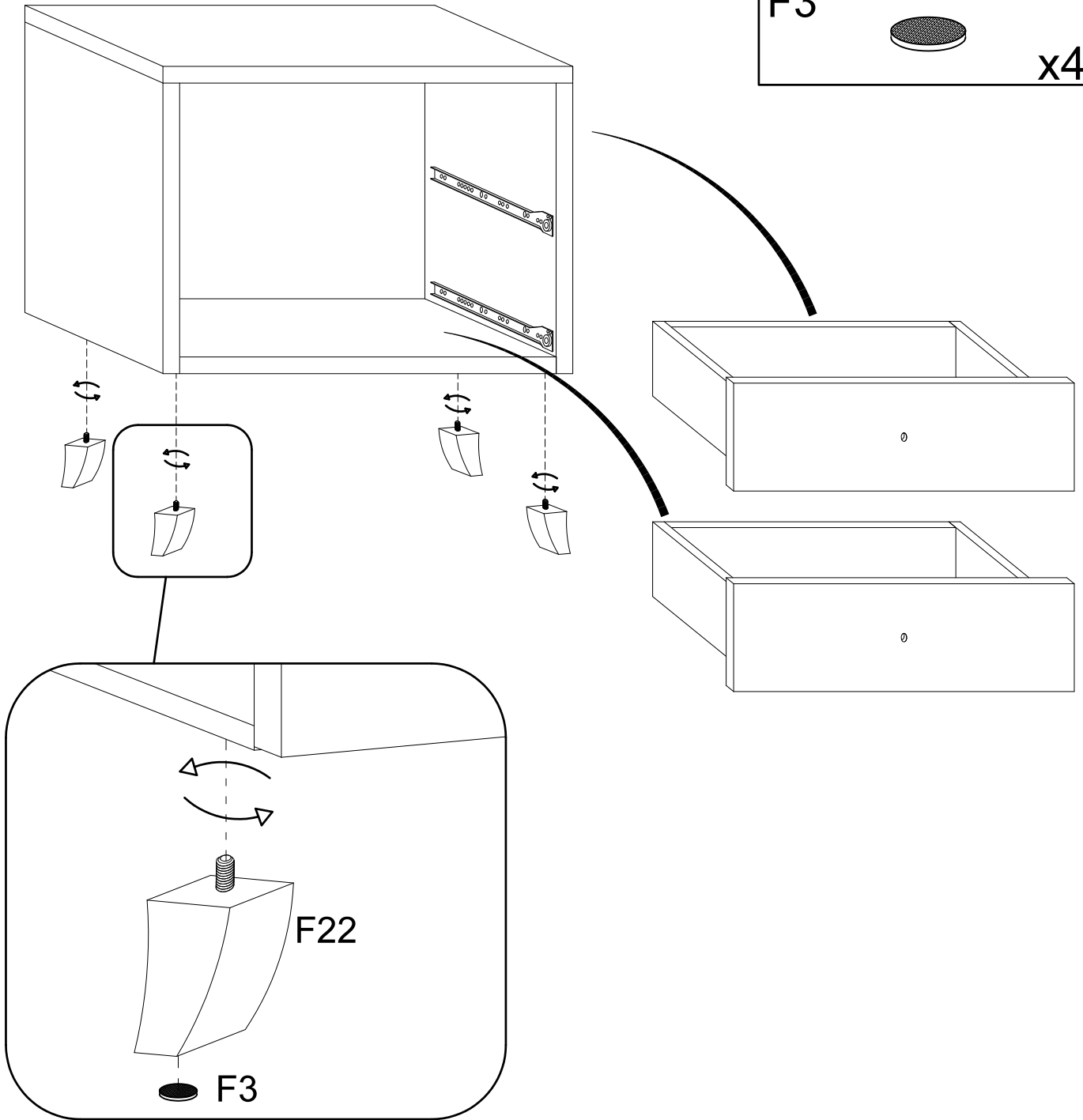
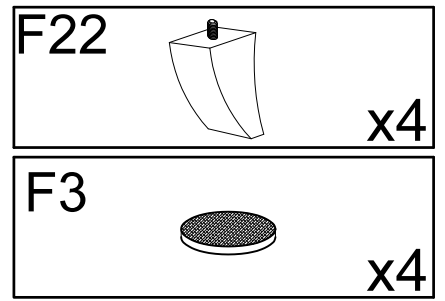
5



6



7



7

